



Konfor Sınıfı Şehirler Arası Koltuğu
Comfort Class Intercity Seat
Intercity Sitz für die Komfortklasse

AGILE 4540 FL



M3 / M2

KOLTUK ÖZELLİKLERİ

	KOLTUK MODELİ
	Tekli Koltuk
	İkili Koltuk
	2+1 Koltuk Yerleşimi
	2+2 Koltuk Yerleşimi
	ÖLÇÜLER
	Oturak Geniřlięi
	Oturak Derinlięi
	FONKSİYON
	Yatarlı Arkalık
	Yana Açır Şase
	EMNİYET KEMER SİSTEMİ
	2 Noktalı Emniyet Kemerı
	3 Noktalı Emniyet Kemerı
	KOLÇAK
	Koridor Tarafı Yukarı Katlanır
	Koridor Tarafı Katlanır
	Pencere Tarafı Sabit
	Koridor Tarafı Sabit
	Orta Kolçak
	TUTAMAK
	Dikey Tutamak
	Yatay Tutamak
	School Otobüsü Tipi
	Tutamak Yuvası
	DIĞER AKSESUARLAR
	Ayarlanabilir Ayak Dayama
	Baldır Dayama
	Beşik Hareketi
	Gazetelik (File)
	Gazetelik (Kumaş)
	Gazetelik (Gerçek Deri)
	Gazetelik (Suni Deri)
	Çöp Kutusu
	Bel Desteęi
	USB Girişı
	Koridor Aydınlatma Lambası
	Ekran
	Telefonluluk Servis Tableti
	Telefonluk
	AĞIRLIK

PRODUCT OVERVIEW

	SEAT TYPES
	Single Seat
	Double Seat
	2+1 Seating System
	2+2 Seating System
	DIMENSIONS
	Cushion Width
	Cushion Length
	FEATURES
	Backrest Reclining
	Aisle-side Adjustment
	SECURITY BELT SYSTEM
	2-point Seat Belt
	3-point Seat Belt
	ARMREST
	Aisle-side Foldable (Up)
	Aisle-side Foldable
	Wall-side Fixed
	Aisle-side Fixed
	Middle Armrest
	HANDLE
	Handle on Back, Vertical
	Handle on Back, Horizontal
	School Bus Grip
	Handle Shell
	FURTHER ACCESSORIES
	Adjustable Footrest
	Legrest
	Seat Inclining
	Magazine Storage (Net)
	Magazine Storage (Fabric)
	Magazine Storage (Genuine Leather)
	Magazine Storage (Faux Leather)
	Waste Container
	Lumbar Support Mechanism
	USB Port
	Aisle-side Lighting
	Screen
	Service Table with Phone Holder
	Phone Holder
	WEIGHT

PRODUKTÜBERSICHT

	SITZMODELLE	
	Einzelstiz	<input type="checkbox"/>
	Doppelsitz	<input checked="" type="checkbox"/>
	2+1 Bestuhlung	<input type="checkbox"/>
	2+2 Bestuhlung	<input checked="" type="checkbox"/>
	ABMESSUNGEN	
	Sitzkissenbreite	440 mm
	Sitzkissenlänge	400 - 460 mm
	FUNKTIONEN	
	Rückenverstellung	<input checked="" type="checkbox"/>
	Seitenverstellung	<input type="checkbox"/>
	SICHERHEITSGURT	
	2 Punkt Gurt	<input checked="" type="checkbox"/>
	3 Punkt Gurt	<input type="checkbox"/>
	ARMLEHNEN	
	Korridor Seite klappbar nach oben	<input checked="" type="checkbox"/>
	Korridor Seite klappbar	<input checked="" type="checkbox"/>
	Wandseitig Fix	<input type="checkbox"/>
	Korridor Seite Fix	<input type="checkbox"/>
	Mittelarmlehne klappbar nach oben	<input type="checkbox"/>
	HALTEGRIFF	
	Rückseitig vertikal	<input checked="" type="checkbox"/>
	Rückseitig horizontal	<input checked="" type="checkbox"/>
	Schulbusgriff	<input checked="" type="checkbox"/>
	Griffschale	<input checked="" type="checkbox"/>
	WEITERE ZUBEHÖRTEILE	
	Verstellbar Fußstütze	<input type="checkbox"/>
	Beinauflage	<input checked="" type="checkbox"/>
	Schwenkbewegung	<input checked="" type="checkbox"/>
	Zeitung Speicher aus Netz	<input type="checkbox"/>
	Zeitung Speicher aus Stoff	<input type="checkbox"/>
	Zeitung Speicher aus echtes Leder	<input type="checkbox"/>
	Zeitung Speicher aus kunst Leder	<input type="checkbox"/>
	Abfallbehälter	<input type="checkbox"/>
	Taillenstütze	<input checked="" type="checkbox"/>
	USB	<input type="checkbox"/>
	Korridor Leuchtlampe	<input type="checkbox"/>
	Bildschirm	7"
	Servicetisch mit Handyhalterung	<input type="checkbox"/>
	Handyhalter	<input type="checkbox"/>
	GEWICHT	32 kg

Standart / Standard / Standard Opsiyonel / Option / Option Mevcut Deęil / Unavailable / Nicht Verfügbar

Kolçak Seçenekleri / Armrest Options / Armlehnen Modelle

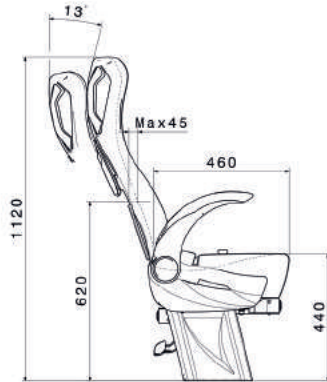
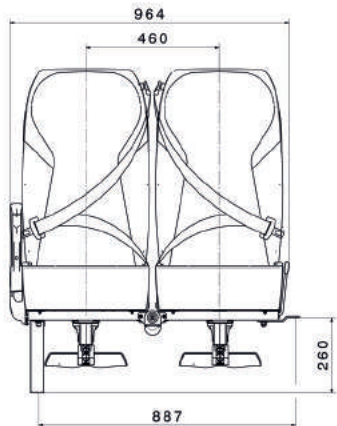


PRIMUS

VERSUS

HYBRID

NEXUS



Uygun olunan standartlar
Complies with legal requirements
Entspricht den gesetzlichen Normen

ECE R80 / ECE R14/ ECE R118

mapofset.com

